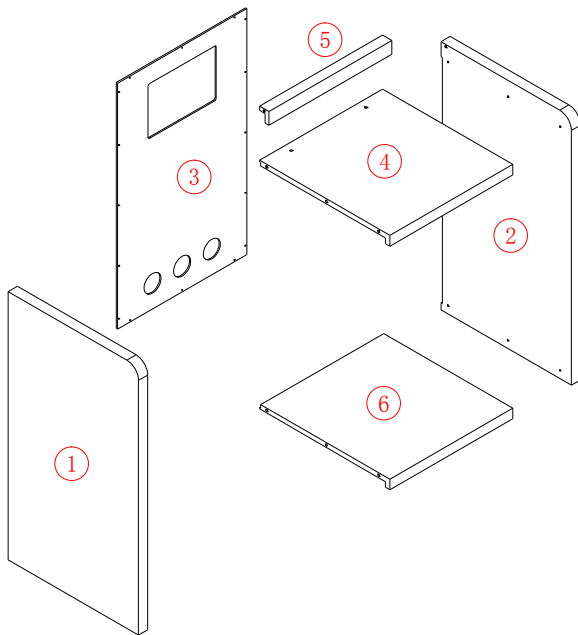


# TATUNG UTILITY CENTER CABINET

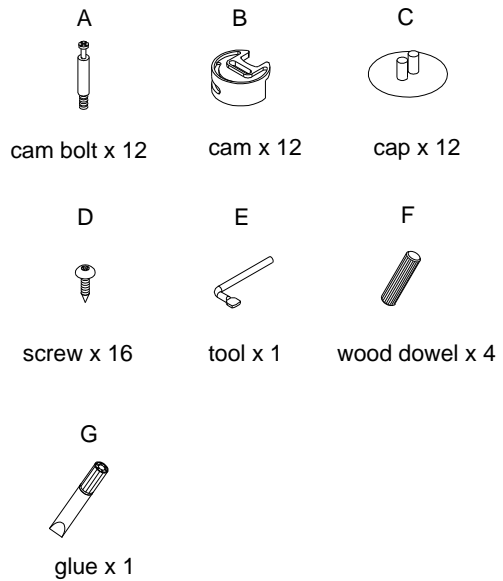
## ASSEMBLY INSTRUCTION

MODEL: KDRC-48

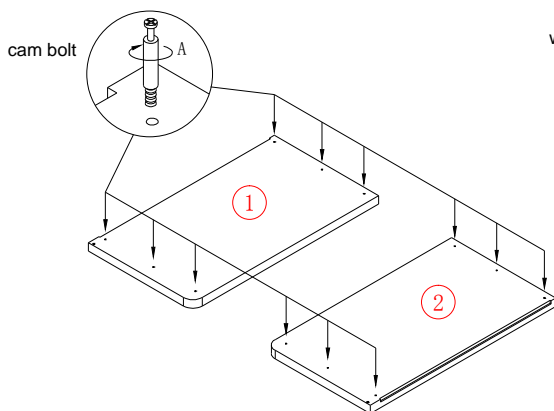
### COMPONENTS



### HARDWARE

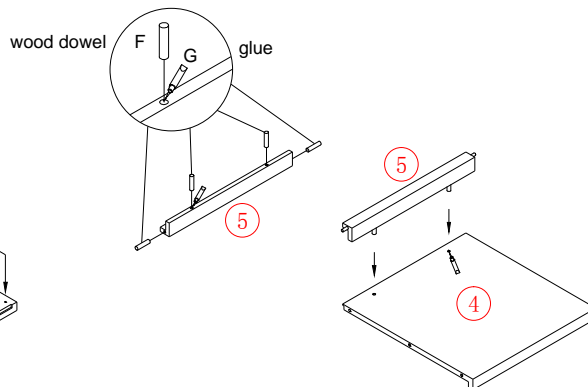


### STEP 1



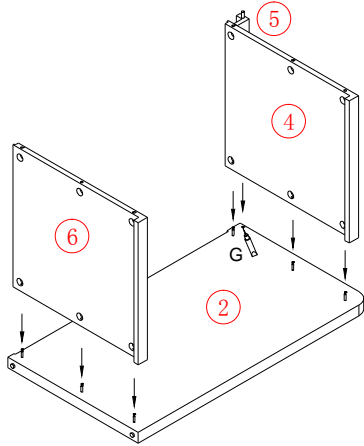
Securely screw cam bolt (A) into left panel (1) and right panel (2).

### STEP 2



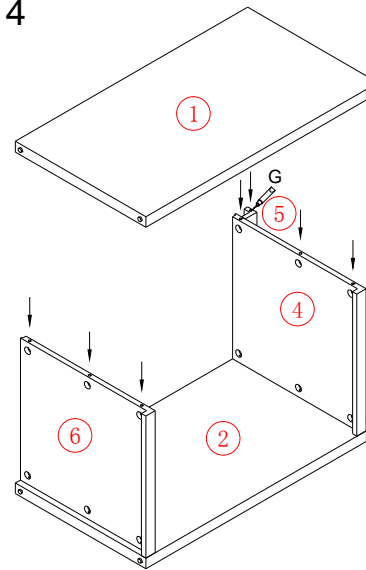
Apply glue (G) on holes for wood dowel and insert wood dowel (F) into part (5). Attach part (5) to top shelf (4).

### STEP 3



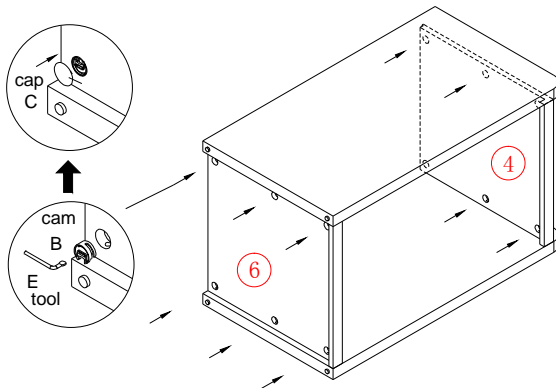
Apply glue (G) on hole for wood dowel. Attach top shelf (4), bottom shelf (6) and part (5) onto right panel (2) by aligning each cam bolt and wood dowel to its corresponding hole.

### STEP 4



Apply glue (G) on hole for wood dowel. Attach left panel (1) onto bottom shelf (6), top shelf (4) and part (5) by aligning each cam bolt and wood dowel to its corresponding hole.

### STEP 5

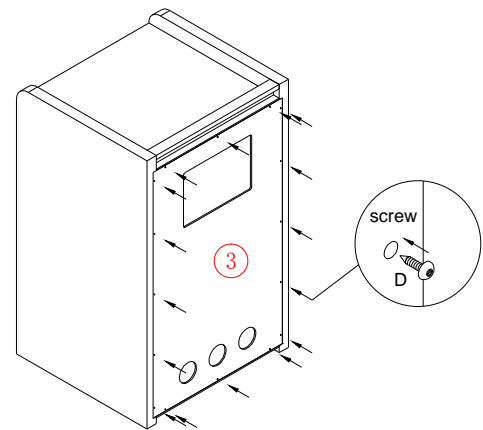


Insert cam (B) into hole in top shelf (4) and bottom shelf (6) with notch of cam facing head of cam bolt (A). Tighten cam (B) approximately 1/2 turn clockwise until snug by using tool E. Press cap (C) into cam(B).

#### NOTE:

Using an optional 5/16" slotted screwdriver has the best result to turn the cam (B).

### STEP 6



Turn partially assembled cabinet to standing position. Attach back panel (3) by tightening screw (D) into the pre-drilled holes.

### STEP 7

Carefully place a refrigerator into the assembled cabinet.

